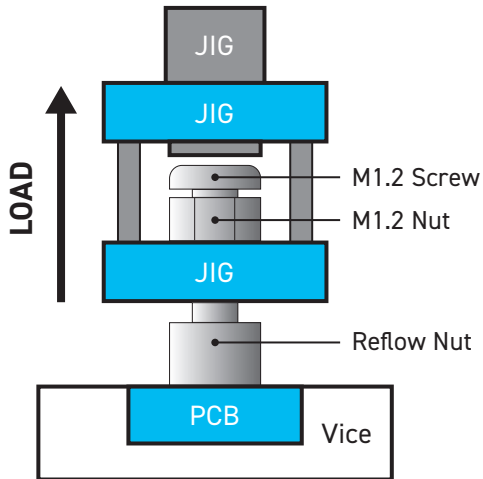


Technical Data

Test of Peel Strength in Vertical Direction



Test Results

Test Sample		Measurement Results (N)
Competitive Products	Through Hole, Protruded End, with Holes on PCB	213.5
SMARX Products	Through Hole, with Holes on PCB	214.8
	Non-Through Hole	255.3